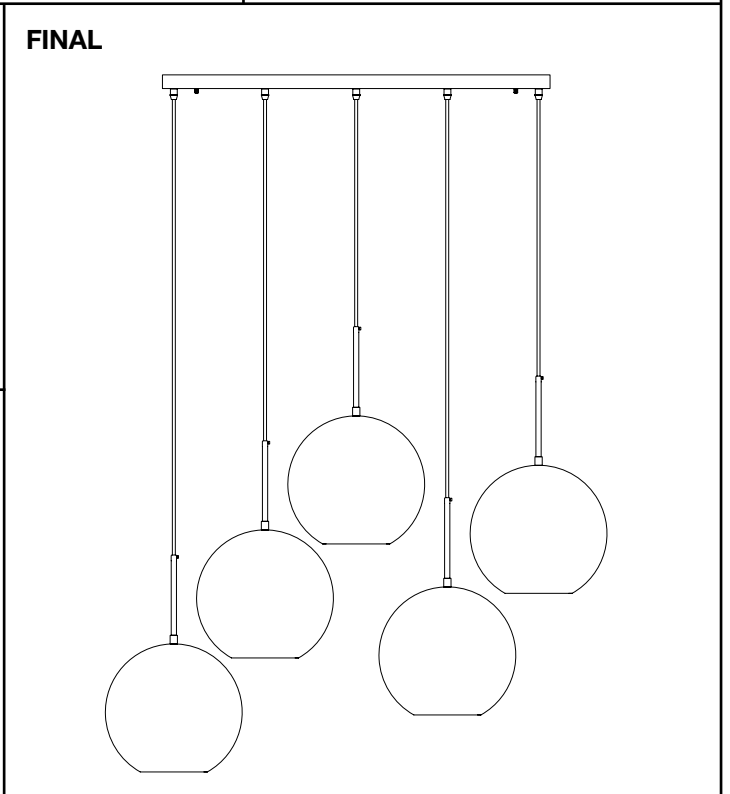
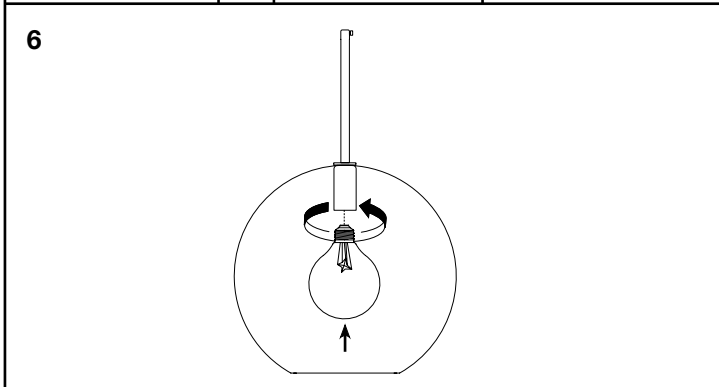
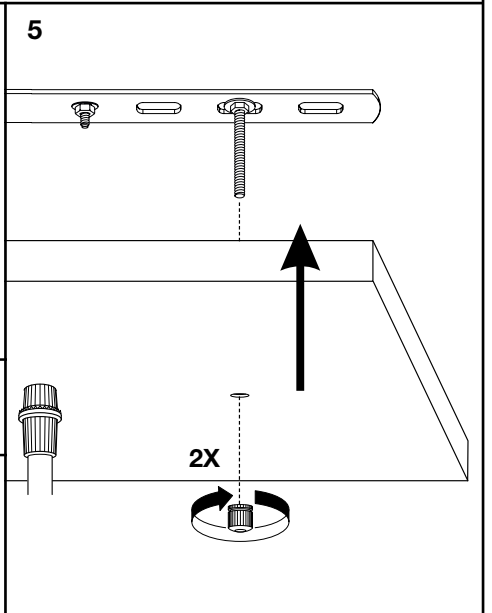
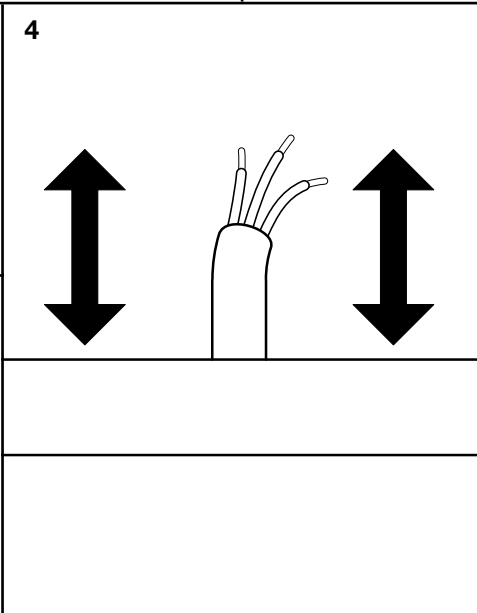
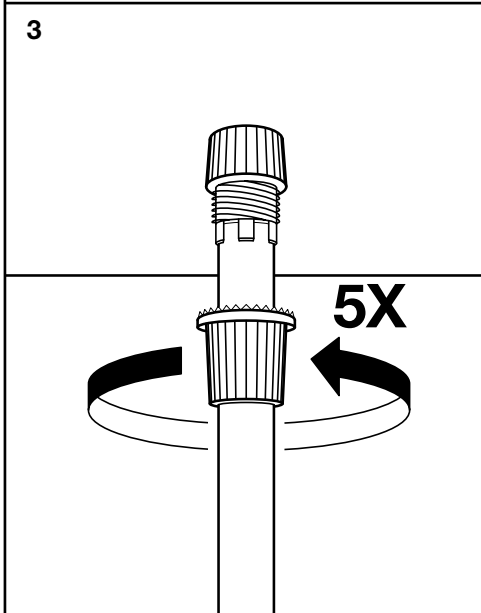
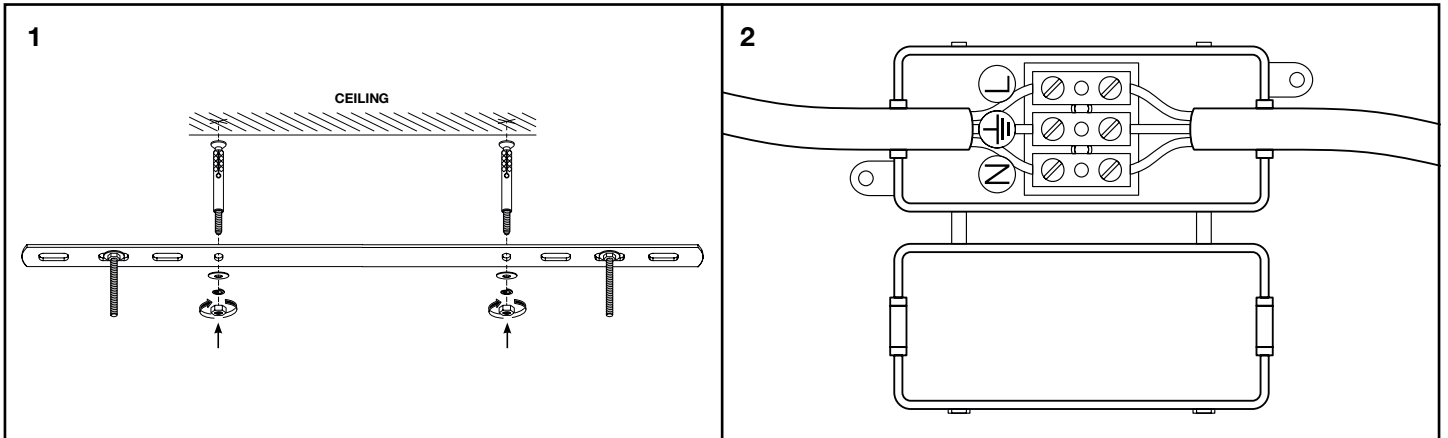




E I C H H O L T Z

112635 CHANDELIER TANGO

ASSEMBLY INSTRUCTION



Two people are required for safe mounting of this luminaire.

1. Fix the ceiling bracket to the ceiling by using mounting plugs and screws suitable to your ceiling type and take into account the weight of your luminaire.
2. Connect the 3 power wires according to their colours. Brown is the live wire, blue is the neutral wire, the green yellow wire is the earthwire.
3. Loosen the plastic nut under the ceiling canopy.
4. Pull the wire through until the lamp hangs at your desired height.
5. Place the ceiling canopy over the ceiling plate and fix it securely with the nuts.
6. Place the bulbs and place the glass again, fix it with the nuts.