

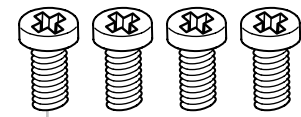


E I C H H O L T Z

112278 WALL LAMP TIZIANO

ASSEMBLY INSTRUCTION

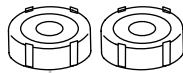
**PARTS**



SCREWS

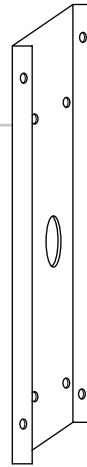


SCREW COVER

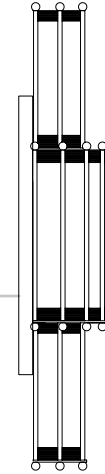


SCREW PLASTICS

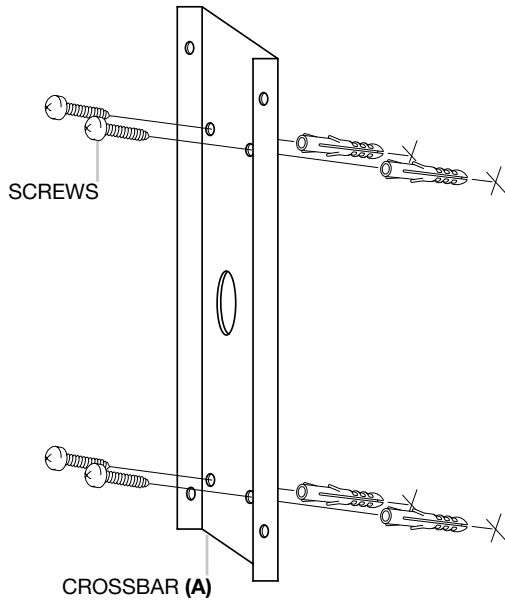
CROSSBAR (A)



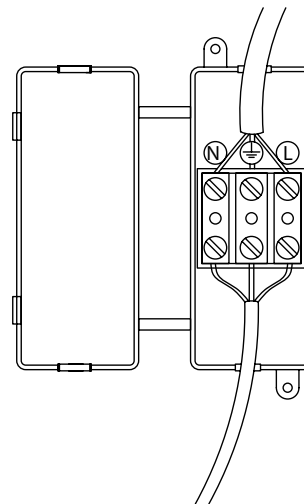
LAMP



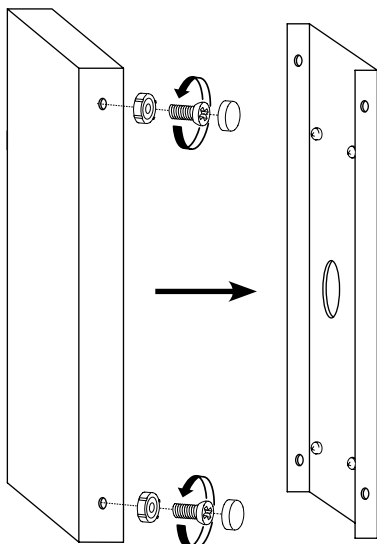
**1**



**2**



**3**



Switch off the power at the main switchboard.  
Fix the crossbar (A) to the wall by using wall mounting plugs and screws suitable to your wall type.

Connect the 3 power wires according to their colours. Brown is the live wire, blue is the neutral wire, the green yellow wire is the earthwire.

Place the lamp over the cross bar and fix it securely with the screws (B) supplied. Don't turn to far because the plastic part will break otherwise. Place the screw cover.

Place the bulb to the lampholder.