

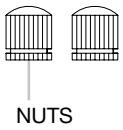


E I C H H O L T Z

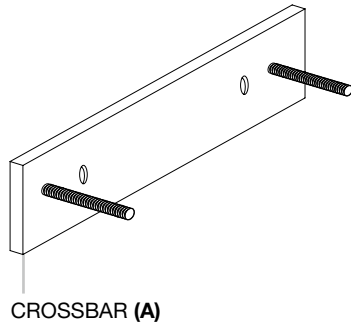
112227 WALL LAMP SPIRIDON

ASSEMBLY INSTRUCTION

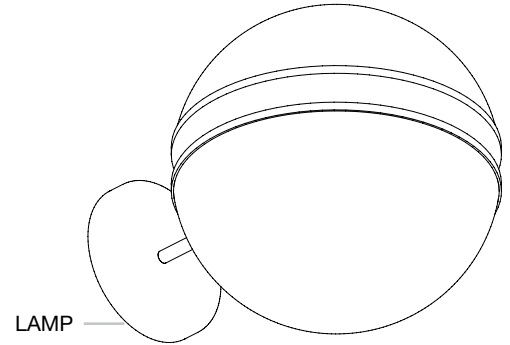
PARTS



NUTS

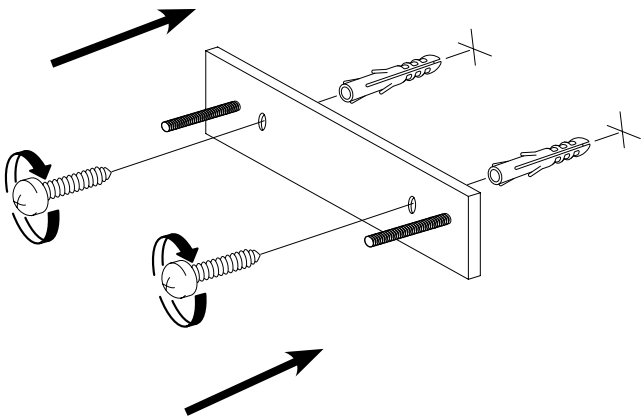


CROSSBAR (A)

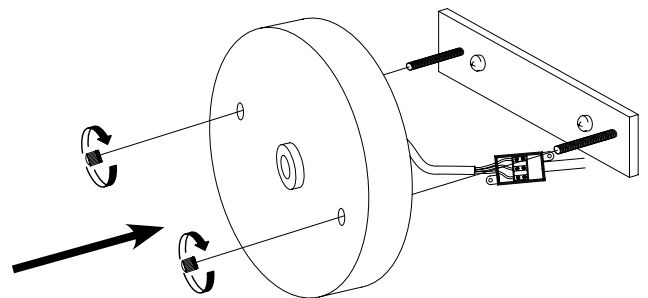


LAMP

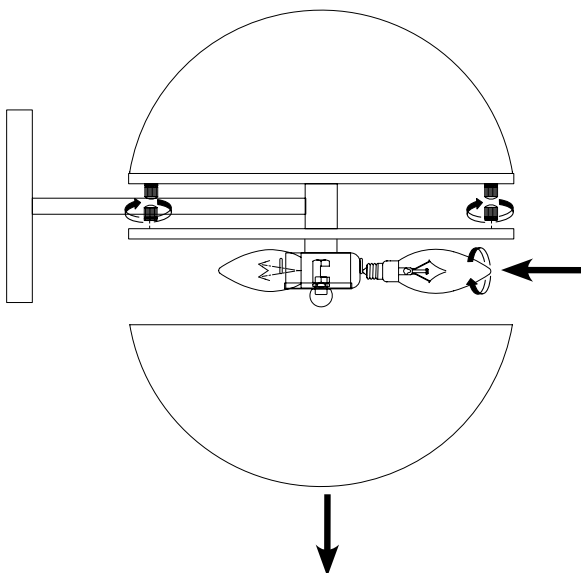
1



2



3



Switch off the power at the main switchboard.

Fix the crossbar (A) to the wall by using wall mounting plugs and screws suitable to your wall type.

Connect the 3 power wires according to their colours. Brown is the live wire, blue is the neutral wire, the green yellow wire is the earthwire.

Place the lamp over the cross bar and fix it securely with the nuts supplied.

Place the bulb to the lampholder.

Place the glass shade to the lamp body and fix it securely.