

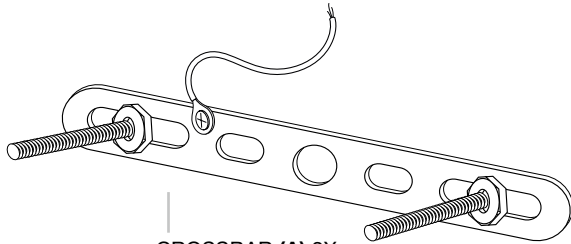


E I C H H O L T Z

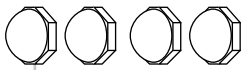
107335 WALL LAMP INDIGO

ASSEMBLY INSTRUCTION

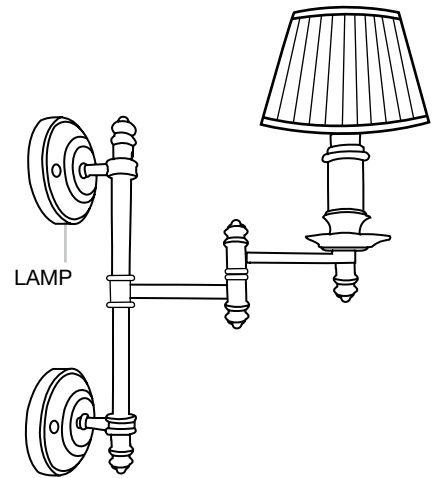
PARTS



CROSSBAR (A) 2X

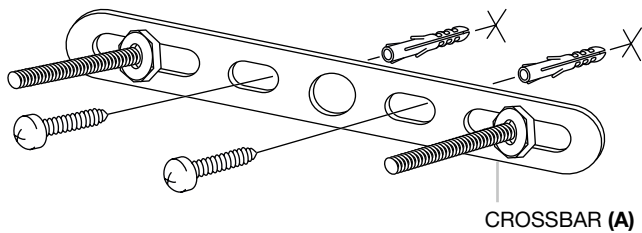


NUTS



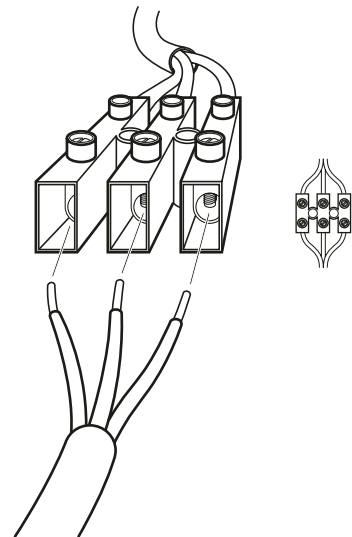
LAMP

1

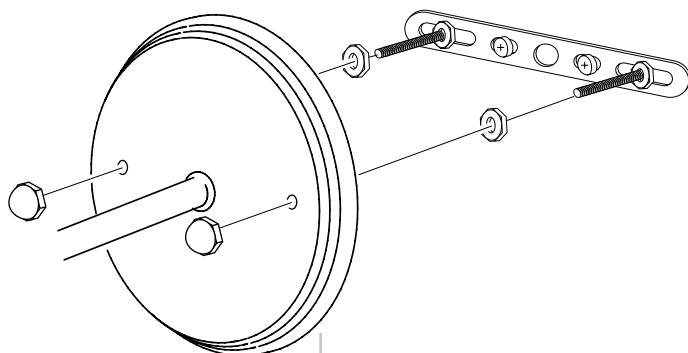


CROSSBAR (A)

2



3



SECURE WITH NUTS (B)

Turn off the electricity supply at the main circuit panel before installing. Do not connect the electricity supply until your luminaire is fully assembled and installed.

Measure the distance between the top and the bottom wall plate.

Fix the cross bars (A) to the wall according to these measurements, by using wall mounting plugs and screws suitable to your wall type.

Connect the 3 wires according to their colours. Brown is the live wire, blue is the neutral wire, green/yellow is the earth wire.

Place the lamp over the cross bar and fix it securely with the nuts (B) supplied.